

- Contains:**
- Safety Information
  - Warranty Information
  - Operating Instructions
  - Annotated Diagram
  - Trouble Shooting Guide

This safety alert symbol indicates important safety messages in this manual. When you see this symbol, be alert to the possibility of personal injury and carefully read the message that follows.

**WARNING:** THIS IS NOT A TOY. MISUSE MAY CAUSE SERIOUS INJURY OR DEATH. EYE PROTECTION DESIGNED FOR PAINTBALL USE MUST BE WORN BY THE USER AND ANY PERSON WITHIN RANGE. RECOMMEND AT LEAST 18 YEARS OLD TO PURCHASE. 14 YEARS OLD TO USE WITH ADULT SUPERVISION, OR 10 YEARS OLD TO USE ON PAINTBALL FIELDS MEETING ASTM-STANDARD F1777-02. READ OPERATION MANUAL BEFORE USING.

**WARNING:** NEVER SHOOT AT ANYONE WITHOUT PROPER PROTECTIVE EQUIPMENT FOR EYES, EARS, THROAT AND HEAD, WHICH MUST BE WORN AT ALL TIMES. EYE PROTECTION MUST BE DESIGNED SPECIFICALLY FOR PAINTBALL USE. FAILURE TO FOLLOW THESE SAFETY PRECAUTIONS MAY RESULT IN BODILY INJURY INCLUDING BLINDNESS AND DEAFNESS.



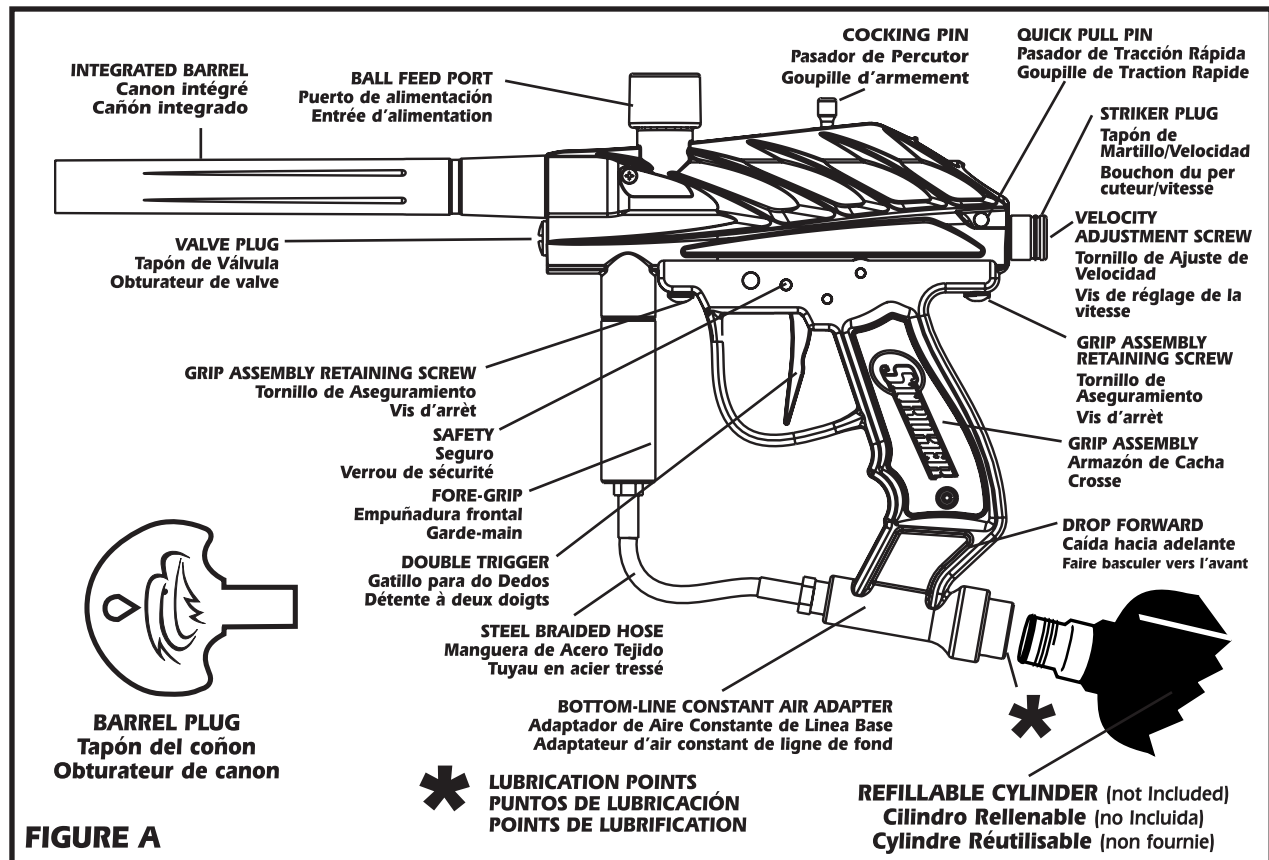
Welcome to the Brass Eagle® team and thank you for purchasing this high quality Brass Eagle® paintball marker.

We at Brass Eagle® stand committed to providing you with the best product and service available. Your new marker is designed and manufactured to provide ease of maintenance with trouble free performance. We ask that you read this manual to obtain the maximum enjoyment and safety of your purchase.

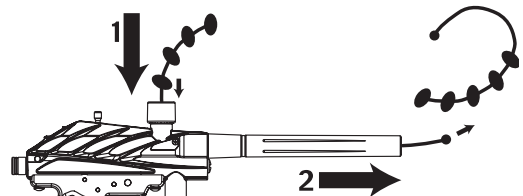
Call 1-877-877-GAME (4263) or visit our web site at [www.brasseagle.com/service](http://www.brasseagle.com/service) if you should need an Illustrated Parts List.

### RULES OF SAFE PAINTBALL MARKER HANDLING

- Always wear proper eye, face and ear protection designed especially to stop paintballs.
- Never shoot a person who is not wearing proper protection.
- Treat every paintball marker as if it were loaded.
- Never look down the barrel of the marker.
- Never point the paintball marker at anything you don't wish to shoot.
- Keep the paintball marker on safe until ready to shoot.
- Keep the barrel plug in the paintball marker's muzzle when not shooting.
- Always remove gas source before disassembly.
- Store the paintball marker unloaded and degassed in a locked place.
- Follow warnings listed on gas source for handling and storage.
- Never use anything other than .68 caliber paintballs.
- Do not shoot fragile objects such as windows.
- Paintballs may cause staining of some porous surfaces such as brick, stucco and wood.
- Always measure velocity before playing paintball.
- Never shoot at velocities in excess of 300 feet per second.
- Never engage in vandalism.
- Do not use marker for drive-by shootings.
- Do not modify your marker's pressurized air system or cylinder in any way.



Use a barrel squeegee to clean broken paintballs from your marker's barrel. We recommend Viewloader® Proflex squeegee #5012.



**DO NOT RETURN THIS MARKER TO YOUR RETAILER. FOR ASSISTANCE CALL 1-877-877-GAME (4263). WARRANTY INFORMATION**

**WARRANTY: LIMITED 90 DAY WARRANTY (ORIGINAL PURCHASE RECEIPT REQUIRED)**

For 90 days from date of purchase, Brass Eagle® will repair or replace this marker free of charge if defective in material or workmanship. This warranty gives you specific legal rights. You may also have other rights which may vary from state to state. Service is available from authorized Brass Eagle® Service Centers. A list of these are available at Brass Eagle's website at [www.brasseagle.com](http://www.brasseagle.com) or by calling Brass Eagle® at 1-877-877-GAME (4263). These Service Centers generally offer the quickest service.

**If you would rather return your marker to Brass Eagle® please call customer service at 1-877-877-GAME (4263) for return authorization number and shipping address. [Authorization number must be visible on outside of shipping package to be accepted.]**

Do not return any products via non-trackable services such as regular mail or parcel post. Such products may become lost and Brass Eagle® LLC. will not be responsible for replacement.

#### PAINTBALL MARKERS OUT-OF-WARRANTY

Authorized Service Centers will gladly repair any markers out of warranty for a nominal charge to cover parts and labor. Repairs made by Service Centers will usually be faster and less expensive than those sent back to the factory. Go to [www.brasseagle.com/service](http://www.brasseagle.com/service) for service center locations near you. **Prior to shipping out of warranty markers, you must first call customer service at 1-877-877-GAME (4263) for return authorization number and shipping address. [Authorization number must be visible on outside of shipping package to be accepted.]** Any out of warranty Marker returned to Brass Eagle® must be shipped prepaid and include the repair fee. Please call the Customer Service number for current repair fees. Brass Eagle® will repair or replace the marker with a reconditioned unit of the same model. If payment is not included, you will be billed for the repair fee plus a \$4.00 invoicing fee. Upon receipt of payment, the marker or its replacement will be shipped to you. In the event that the marker includes no means of contacting the sender or no payment for repairs is received within 60 days of billing, the ownership of the marker will be forfeited and it will be disposed of at the discretion of Brass Eagle® LLC.

#### SPECIAL INSTRUCTIONS Maintenance/Operation

Follow all procedures listed in this manual. In addition, periodically check the steel braided hose assembly for leaks or fraying.

#### Safety

Do not allow the steel braided hose to be pinched in any way. The hose is durable but is not intended to act as a trigger guard.

#### FIELD STRIP GUIDE

##### Bolt and Striker removal

NOTE: This marker's barrel is integrated into the receiver and is not designed to be removed or replaced.

**STEP 1. EYE PROTECTION:** Make sure everyone within range (200 yards) is properly protected from paintball impacts.

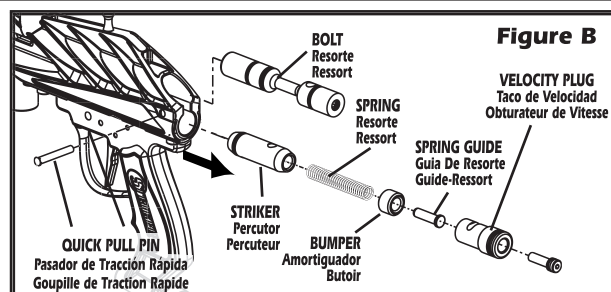
**STEP 2.** Remove gas supply from marker.

**STEP 3.** Make sure cocking pin is in the forward position. Pull trigger to release if necessary.

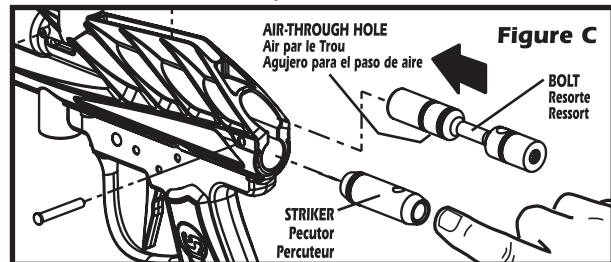
**STEP 4.** Remove quick pull pin, bolt, striker plug, bumper, spring guide, spring and striker. (Figure B). NOTE: Use caution when removing as all parts are under spring tension.

##### FIELD STRIP REASSEMBLY

Follow the steps above in reverse order. Lubricate all wear points and o-rings with mineral oil only.

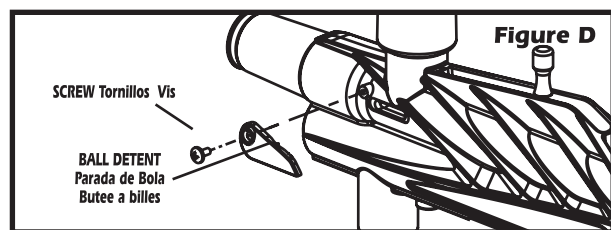


#### STRIKER REMOVAL / REPLACEMENT



- STEP 1.** Follow Steps 1-5 of Field Strip Guide.  
**STEP 2.** Pull trigger and tap rear of the receiver against towel on flat surface to remove striker.  
**STEP 3.** Grasp striker with fingers and pull from receiver.  
**STEP 4.** Clean with soft cloth or baby wipe. Relubricate with mineral oil and replace. NOTE: Examine o-ring for any damage and replace if necessary.  
**STEP 5.** Replace striker bolt assembly into receiver with seat flat down. NOTE: It is necessary to pull the trigger 3 or more times while applying pressure to striker bolt assembly with your finger in order to fully seat the striker. (See Figure C)  
**STEP 6.** Reassemble per Field Strip Reassembly Section.  
 NOTE: The bolt is uniquely designed to be installed with the air through hole downward. If you install with air through hole upward the cocking pin will not fully insert into the bolt. This is to prevent incorrect reassembly.

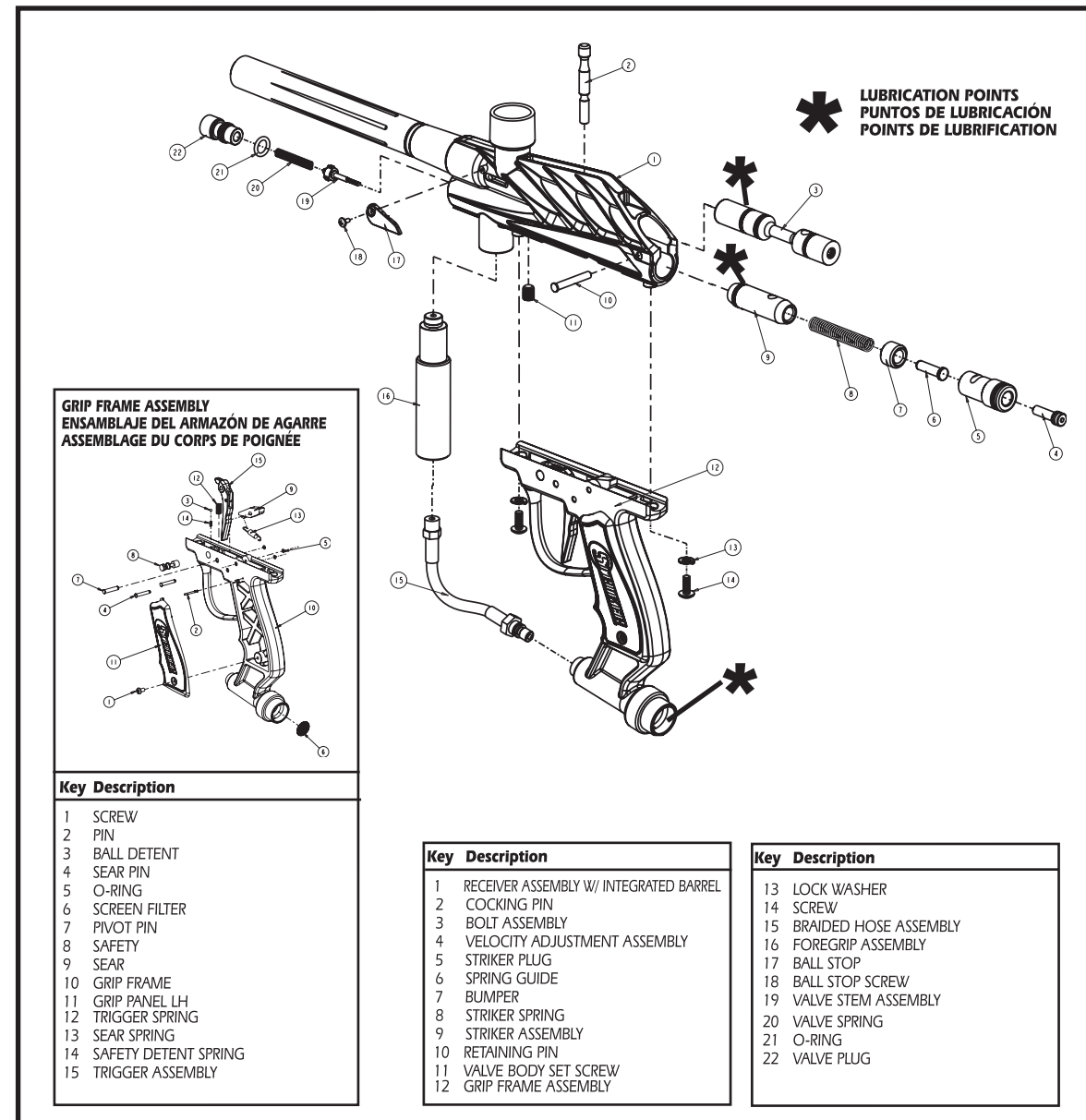
#### DISASSEMBLY / CLEANING OF BALL DETENT



#### DO'S AND DON'TS OF CARE AND MAINTENANCE

**Note:** Any cosmetic or mechanical changes to product will void warranty and may not satisfy ASTM standards for safety during paintball play. Use only Brass Eagle approved replacement parts and upgrade components to maintain warranty and safe operating marker. **Follow these easy points to keep your marker in top shape for years to come.**

- DO'S**
- DO read owners manual thoroughly before using marker and for complete disassembly and cleaning instructions.
  - DO lubricate o-rings using 3 drops of mineral oil in the ASA adapter with each change of gas source (tank), or marker will dry out and cause it to not recock after the first shot or after rapid firing.
  - DO examine valve seal drawing on back to insure correct reassembly.
  - DO familiarize yourself with the parts drawing prior to any disassembly.
  - DO put marker parts on cloth to avoid losing parts or parts falling down onto dirt or sand when disassembling.
  - DO lubricate o-rings with mineral oil immediately after cleaning. See backside for lubrication points.
- DON'TS**
- DON'T change or modify your marker or air system. Brass Eagle markers, valve, air hose, air adaptor and pressurized tanks are designed to satisfy the ASTM requirements for safety. Any modification may not be to the ASTM standards and may be unsafe for paintball play.
  - DON'T return this marker to retailer. Call 1-877-877-GAME (4263).
  - DON'T DISASSEMBLE marker if you are unfamiliar with marker maintenance. (Call customer service at 1-877-877-4263 or visit our website at [www.brasseagle.com/service](http://www.brasseagle.com/service) for assistance).
  - DON'T use lubricants other than mineral oil. (For questions about proper lubricants consult the web page or customer service at 1-877-877-4263)
  - DON'T disassemble hose from marker. (Call customer service at 1-877-877-4263 for assistance).



- DON'T immerse marker in water. (Marker parts may be cleaned by wiping with a soft cloth or paper towel).

TROUBLESHOOTING GUIDE		
PROBLEM	CAUSE	CURE
<b>Gas Leaks from Cylinder Connection</b>	Damaged Cylinder O-ring	Replace O-ring
<b>Gas Leaks from Inside Barrel</b>	Damaged Valve Seal	Replace Valve Stem Assembly
<b>Marker Fails to Discharge</b>	Marker Wasn't Cocked	Cock Marker Before Firing
	Lack of Gas Pressure	Refill Cylinder
	Lack of Lubricant or Paintball Debris	Refer to Field Strip Guide Section
	Gas Source Not Fully Engaged	Screw Gas Source into Bottom Line Constant Air Adapter.
<b>Marker Fails to Recock</b>	Damaged Striker O-ring	Replace Striker O-ring
	Lack of Gas Pressure	Refill Cylinder
<b>Rapid Fire or Mechanism Sticks or Hangs Up</b>	Broken Shell	Clean Mechanism
	No Lubrication	Lubricate Bolt and Striker
<b>Broken Paintballs</b>	Excessive Paint Buildup in Barrel	Squeegee out paintball particles from barrel
	Defective Paintballs	Replace Paintballs

**Additional Troubleshooting Tips, Repair Kit and Parts Exploded view are available on our website at: [www.brasseagle.com/service](http://www.brasseagle.com/service).**

**The BE Repair Kit #0333-00 is available at your local retailer or on our website at: [www.brasseagle.com](http://www.brasseagle.com)**

#### OPERATING INSTRUCTIONS

**WARNING:** Be sure the paintball marker is always pointed in a safe direction. Read the following operating instructions and WITHOUT LOADING ANY PAINTBALLS proceed several times through the operating steps with your paintball marker (dry fire the paintball marker at a safe target) so that you will be able to operate the marker properly and safely.

**STEP 1. EYE PROTECTION:** Make sure everyone within range (200 yards) is properly protected from paintball impacts.

**STEP 2. PUT ON "SAFE".** Push safety from left to right; no red band showing. Make sure barrel plug is placed securely in muzzle of marker.

**STEP 3. COCK:** Cock marker by pulling cocking handle fully back until locked in rear position. This marker is a semi-automatic marker, which will re-cock itself after firing when working properly.

**STEP 4. ATTACH GAS SOURCE:** Marker can be used with a Brass Eagle® constant air refillable cylinder (not included). You should expect better gas efficiency with a larger refillable cylinder. (RECOMMEND Brass Eagle® 9oz. refillable cylinder. Item #1471.)

**ONLY USE BRASS EAGLE® CYLINDERS** - All Brass Eagle® refillable cylinders and markers meet ASTM standards for thread engagement. Other cylinders may not meet ASTM standards and will not match your marker.

**NOTE:** Add 3 drops of mineral oil to the ASA adapter prior to attaching the refillable cylinder. Check the website at: [www.brasseagle.com/service](http://www.brasseagle.com/service) for approved lubricants.

##### STEP 5. LOAD PAINTBALLS:

**A)** Insert loader (not included with all packaging) into ball feed port. Grip loader from the top. Insert loader feed neck into ball feed port on the marker. Twist and push firmly in a clockwise direction.

NOTE: The loader to ball feed port fit is purposely tight. (RECOMMEND Viewloader® Quantum™, Revolution™ or Tripod™ multi-capacity electronic loader)

**B)** Pour paintballs into loader. NOTE: Paintballs are gravity fed from loader to the marker each time the trigger is pulled. Too rapid a rate of fire, broken balls or too many balls in loader may cause subsequent balls to break and will adversely affect the paintball marker's accuracy. Use a squeegee to clean inside the paintball marker's barrel. (RECOMMEND Brass Eagle® Viewloader® or JT® brand .68 caliber paintballs.) Paintballs should be stored in a cool, dry place in sealed plastic bags. Do not subject to freezing, excessive heat, humidity or store in direct sunlight. These conditions may cause ball breakage and/or poor feeding.

**STEP 6.** Remove barrel plug and take off safe by pressing safety from right side of paintball marker until red band is showing.

**STEP 7. VERIFY VELOCITY:** Verify that the paintball marker's velocity is below 300 feet per second or less if required by playing field. Velocity should be measured with a chronograph prior to playing paintball. Velocity may be adjusted by turning the velocity adjustment screw (See Fig. A) Using a 1/8" allen key (included) turn the screw clockwise to increase velocity and counter-clockwise to decrease velocity. (RECOMMEND Viewloader® on-barrel chronograph to verify velocity. Item #7815.)

**STEP 8. FIRE:** Paintball marker is now ready to fire.

**WARNING:** Never shoot at anyone without proper protective equipment for eyes, which must be worn at all times. Eye protection must be designed specifically for paintball use. Failure to follow these safety precautions may result in bodily injury including blindness and deafness.

**WARNING:** All paintball markers are considered to be loaded until demonstrated to be unloaded by following the steps for unloading your marker.

#### UNLOADING YOUR MARKER

**WARNING:** Always wear proper eye, face and ear protection designed especially to stop paintballs while unloading your paintball marker.

**STEP 1.** Make sure barrel plug is securely in barrel.

**STEP 2.** Put Marker on safe. (Push left to right)

**STEP 3.** Remove loader.

**STEP 4.** Turn marker upside down to remove paintballs from feed port.

**STEP 5.** Point marker toward ground in a safe direction, remove barrel plug and fire several times to insure marker is completely unloaded. Replace barrel plug, put marker back on safe.

**STEP 6.** Remove gas source.

**STEP 7.** Use squeegee to dislodge any paintballs from barrel. Do not unload your marker indoors.

**WARNING:** Do not look down the breach or barrel of the marker while gas source is attached.