



KOREOUTDOOR

**C02 FILL STATION
REBUILD INSTRUCTIONS**
FOR THE SERVICE OF C02 FILL STATION ITEM #40083

CO2 FILL STATION REBUILD INSTRUCTIONS

THESE ARE INSTRUCTIONS TO SERVICE CO2 FILL STATION ITEM #40083

Your CO2 Fil Station has been designed to provide years of service, and repairs are rarely necessary. It is possible, however, that after extensive use you may observe minor leakage occurring. This is normally due to the particulate contamination typically found in liquid CO2 breaking down the seals.

ITEM 40086 SERVICE KIT CONTENTS:

- A. 2 X Valve Seals with "O" Rings
- B. 2 X Bottom Caps with "O" Rings
- C. 3 X Stem "O" Rings

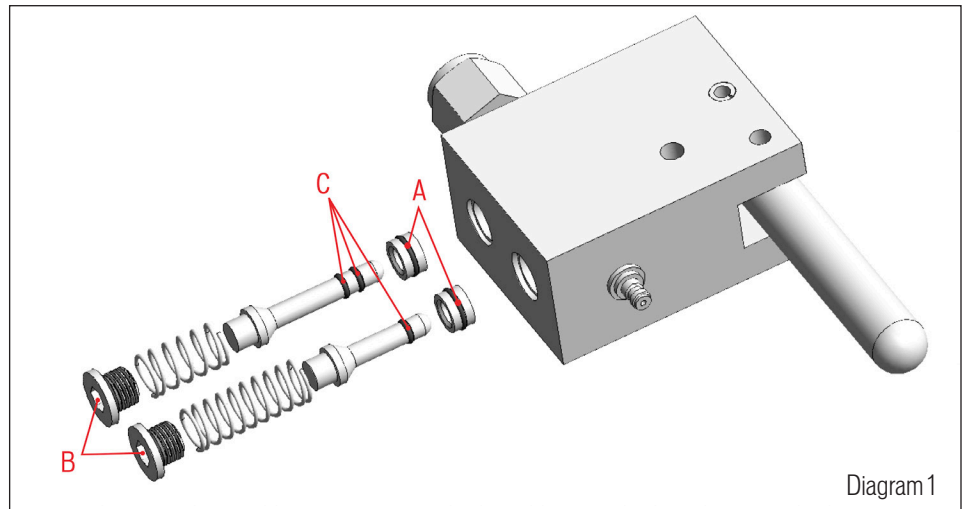


Diagram 1

STEP 1

Remove the Fill Station from the CO2 tank. This service cannot be performed under pressure.

STEP 2

Unscrew the bottom caps using an allen wrench.

Once these have been removed, you will be able to remove the internals. If the valves do not drop out, you can gently push them out from the top.

Care should be taken not to scratch or damage the bore that guides the valve stems.

STEP 3

Install new service kit parts per Diagram 1. We recommend replacing all parts even if the original parts do not show any wear or damage.

Caution: Be sure to install the correct spring size and stem length in the correct bore, reference Diagram 1.

STEP 4

Screw on the new bottom caps using an allen wrench.